

## MEGLI 1000S

### Product Features

1. Feature with high reliability and low failure rate by using the advanced double CPU single chip intellectual control technology.
2. With pure sine wave output , it can have large load and wide application.
3. With perfect protection ( Load Over Protection, Over thermal Protection, short circuit(out put) Protection, overdischarge(input) Protection ,Over-voltage (input) Protection),it will improve the reliability of the product.
4. Samll, light , benefited from adopting the SMD paster technology and CPU controlled centralized.
5. Cooling fan is intellectual controlled, and its working status is controlled by CPU, which , ostly increased its service life and helps to save the power consumption, improve work efficiency and lower the working noise.
6. Low noise, high efficiency.

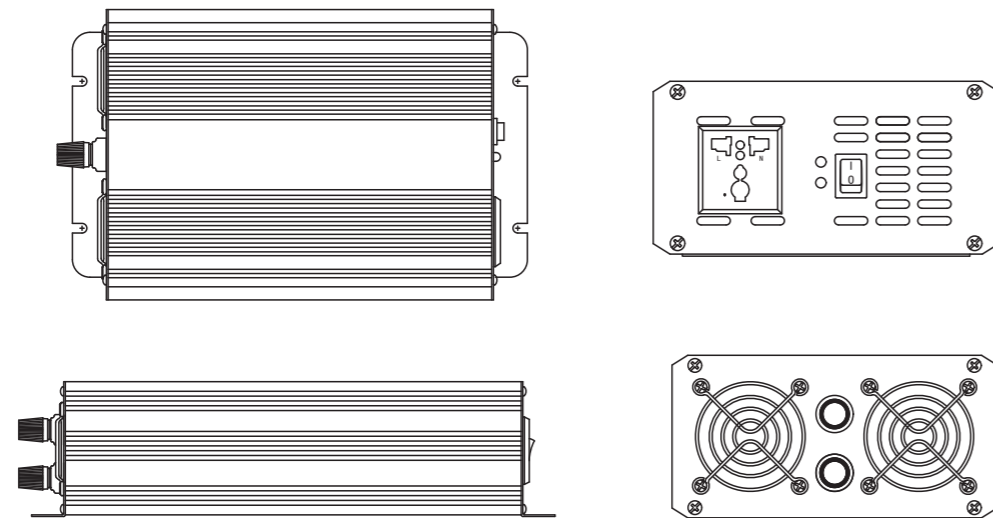


Quality Certification

CE



Product Appearance



### Technical Parameters



Model		MEGLI 100S
Input	DC Voltage	12V or 24V or 48V or 110V
	DC Voltage Range	10-15VDC or 21-30VDC or 42-60VDC or 100-120VDC
	No Load Current Draw	<0.9A
	Max Efficiency	> 85%
	DC Connection	Cable With Clips Or Car Adaptor
Output	AC Voltage	100/110/120VAC or 220/230/240VAC
	Rated Power	1000W
	Instant Power	2000W
	Wave Form	Pure Sine Wave
	Frequency	50Hz or 60Hz
	AC Regulation	3%
Protection	Low Voltage Alarm	10DC ± 0.5V or 20.5DC ± 1V or 44VDC ± 1V or 100VDC ± 1V
	Low Voltage Shut Down	9.5DC ± 0.5V or 19.5DC ± 1V or 42VDC ± 1V or 96VDC ± 5V
	Over Load	Shut Off Output
	Over Voltage	15.5V or 30.5V or 61.2V or 120V
	Over Thermal	Shut Off Output Automatically
	Fuze	Short Circuit
Environment	Working Temperature	From -10°C to +50°C
	Working Humidity	20% ~ 90%RH Non-cooling
	Storage Temperature	From -30°C to +70°C
Packing	Machine Size(mm)	355 × 165 × 85
	Packing Size(mm)	430 × 230 × 148
	N.W(KG)	3.3
	G.W(KG)	3.9

